

10.4" ALL-IN-ONE INDUSTRIAL COMPUTER

PC

LED Panel PC for Industrial Application
All hardware and software customized to your requirements.

Windows 8

Windows 7

Linux

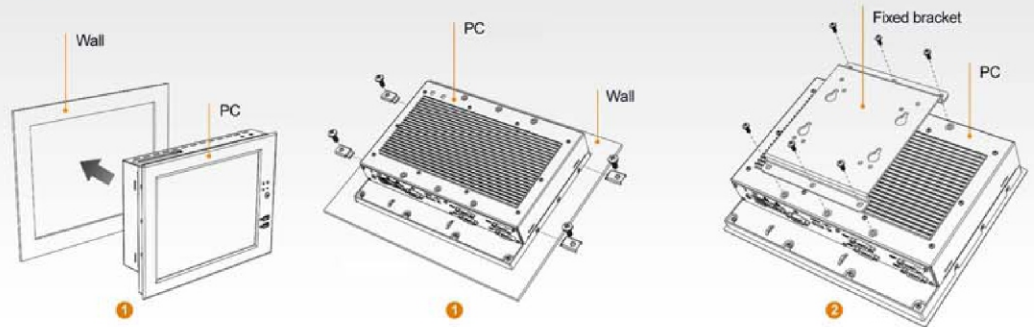


- Powerful 1.86GHz dual-core CPU, 2G DDR3 RAM
- 10.4" LED display with resistive touch
- RS232 × 4, COM 2 supports RS485/232/422
- 3G/WiFi/Bluetooth/GPS for optional
- Wide voltage 6-32V for optional
- Metal housing design
- Fanless cooling system
- HDMI & VGA output
- Dual Ethernet port
- Multiple mount methods



MULTIPLE MOUNT METHODS

- 1 Mount from the front of wall, fixed with lock sheet and screws. It's more convenient for customers to control & maintain the device behind the wall.
- 2 Screwed with Fixed bracket, It's much more easily to be hung on the wall, also available for 75mm / 100mm VESA standard mount.



SPECIFICATIONS & ACCESSORIES

DISPLAY	Display Screen	10.4" LED backlight	1. DC adapter 1 piece	
	Resolution	800*600 (1,440,000) pixels		2. Fixed bracket 1 piece
	Touch Panel	5-wire resistive		3. CD drive 1 piece
	Brightness	250cd/m ²		4. Manual 1 copy
	Aspect Ratio	4:3		5. Wide voltage box 6-32V (optional) 1 piece
	Contrast Ratio	500:1		
SYSTEM	Viewing Angle	140°/110° (H/V)		
	OS (optional)	Windows 7 / 8, Windows Embedded 7, Linux		
	CPU	Intel N2900 (dual-core 1.86GHz)		
	Memory	2G DDR3, optional: 4GB		
	Storage	PCIe mSATA SSD 32G, supports up to 128G		
MAINBOARD	Chipset	Intel NM10 chipset		
	L2 Cache	1024KB		
	Video Card	Integrated on board Intel GMA3650 (128/224MB of share memory)		
	Sound Card	4 channels		
	Expansion Interface	Built-in Mini PCIe*1, optional for 3G / WiFi		
		RS232 × 4 (COM2 support RS232/422/485). HDMI out, VGA out, Audio out, DC 12V in, USB2.0*2, LAN*2, SIM slot, Antenna × 2		
POWER	Input Voltage	DC 12V, optional: DC 6-32V wide voltage		
	Current	1.8A		
	Power Consumption	≤22W		
	Speaker	1W		
ENVIRONMENT	Working Temperature	0~50°C		
	Storage Temperature	-10~65°C		
DIMENSION	Dimension (LWD)	280 × 210 × 58.8 mm		
	Weight	2190g		

