

Descriptions

The AO2DO relay module converts the analog outputs of the T3 controller series into a binary dry contact output. The relay contacts are intended for pilot duty only and are rated at 0.5A/125VAC max. The module comes in strips of 12 relays to mate up directly on the T3 controller with the terminal spacing directly matching the original AO output terminals. The 12 relay module can be snapped apart into 4 pcs with 3 relays per section.



Features

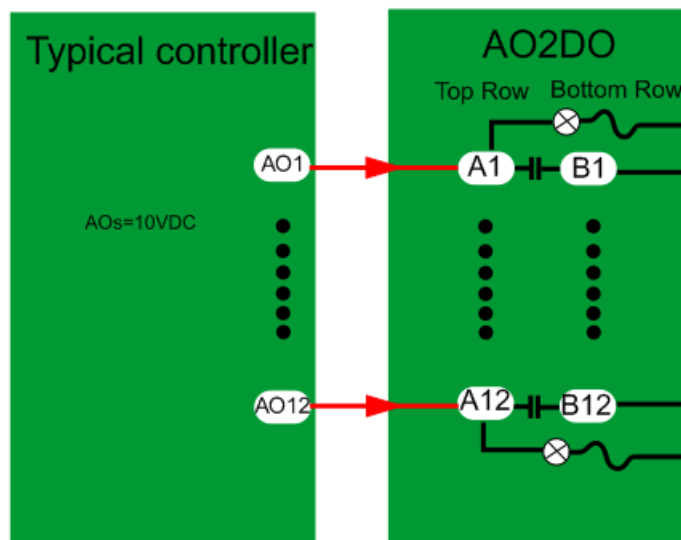
- Low coil power consumption.
- High sensitivity.
- Small size, light weight.
- PC board mounting.

Suitable for automation facilities, telecommunication equipment, wireless radio remote control, sound control toys application etc.

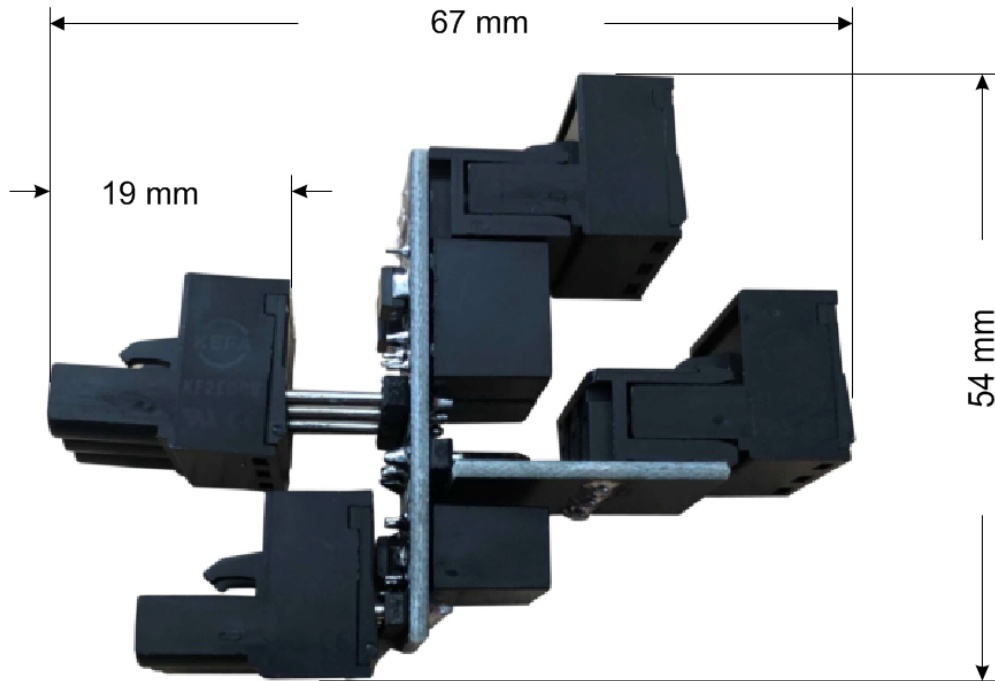
Specifications

Contact Arrangement	1C SPDT(B-M)
Contact Material	Ag (Au clad) AgNi(Au clad)
Contact Rating (resistive)	0.5A/125VAC, 1A/24VDC
Max. Switching Power	30W 62.5VA
Max. Switching Voltage	60VDC 125VAC MAX.Switching Current:1A
Contact Resistance or Voltage drop	$\leq 100m\Omega$

Wiring Diagram



Dimension



T3000 Connection Diagram

